

FOLCARELLI

SHEET METAL FABRICATORS INC.
4141 6th Avenue • ALTOONA, PA 16602
(814) 515-1140

Pick your fitting:

QTY: _____ & Size: _____

Pick your duct:

BY _____ JOB _____

JOB NO. _____ SHEET NO. _____ OF _____

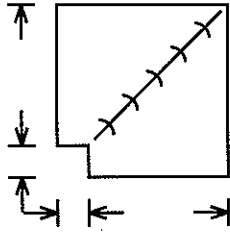
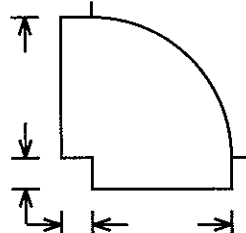
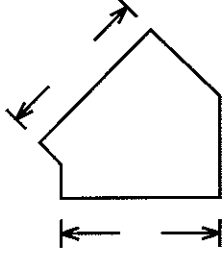
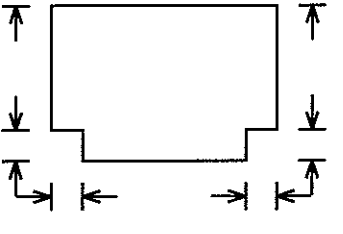
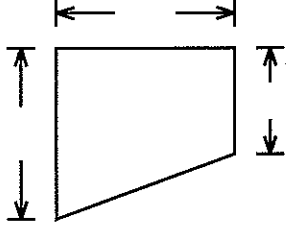
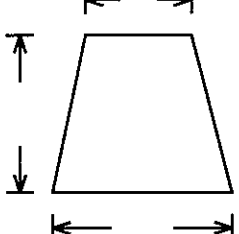
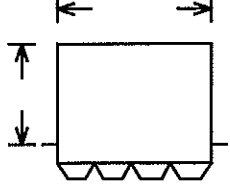
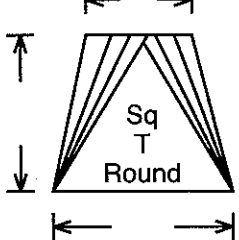
CHKD. BY _____ AREA _____

DATE ORDERED _____

DATE REQ'D. _____

SPECIAL TREATMENT _____

SHOP CODE _____

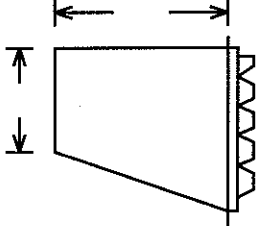
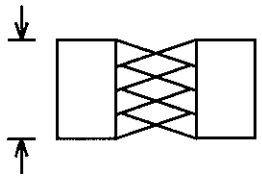
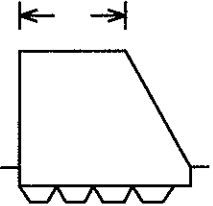
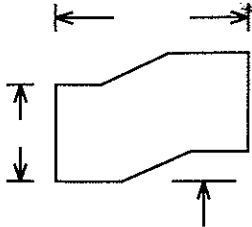
DUCT				
QUAN.	LGTH	SIZE		
			 <p>F-1</p>	 <p>F-2</p>
			 <p>F-3</p>	 <p>F-4</p>
			 <p>F-5</p>	 <p>F-6</p>
			 <p>F-7</p>	 <p>F-8</p>

SYMBOLS

- TV - Top View
- SV - Side View
- TS - Top Straight
- BS - Bottom Straight
- OF - Off Set
- TUV - Turning Vane
- NTUV - No Turning Vane

SPECIAL TREATMENT

- Flat S & Drives
- Standing S & Drives
- W-mate
- 1/2" Liner
- 1" Liner

 <p>F-9</p>	 <p>Flex Connections</p> <p>F-10</p>
 <p>F-11</p>	 <p>F-12</p>